

IS 345 MX Highbay

COM1 - surface, sq.
 EAN 4007841 010492
 Article number 010492



infrared sensor
360°



max. 30 x 4 m

2000 W

max. 2000 W



IP54



2 - 1000 lux



5 sec - 15 min



manual override

Teach

Teach mode



energy saving

5 years

manufacturer's
warranty steinel-
professional.de/
garantie

Function description

Surveillance on the highest level. Infrared motion detector IS 345 MX Highbay for indoors, ideal for large heights in depots, high-bay warehouses, machine shops, check-in areas and departure lounges, installation height 16 m, detection zone 30 x 4 m (radial), large terminal compartment for easy installation, heavy-duty relay for high switching capacity. Available as square surface-mounted and concealed version.

Technical specifications

Dimensions (L x W x H)	65 x 95 x 95 mm	LED lamps > 8 W	600 W
Manufacturer's Warranty	5 years	Capacitive load in µF	176 µF
Settings via	Remote control, Potentiometers, Smart Remote	Technology, sensors	passive infrared, Light sensor
With remote control	No	Mounting height	4,00 – 16,00 m
Version	COM1 - surface, sq.	Mounting height max.	16,00 m
PU1, EAN	4007841010492	Optimum mounting height	12 m
Type	Motion detectors	Detection angle	Aisle, 360 °
Application, place	Indoors	Angle of aperture	90 °
Application, room	high-bay warehouse, Indoors	Sneak-by guard	Yes
Colour	white	Capability of masking out individual segments	Yes
Colour, RAL	9003	Electronic scalability	No
Includes corner wall mount	No	Mechanical scalability	No
Installation site	ceiling	Reach, radial	30 x 4 m (120 m ²)
Installation	Surface wiring, Ceiling	Reach, tangential	30 x 4 m (120 m ²)
IP-rating	IP54	Switching zones	280 switching zones
Ambient temperature	from -20 up to 50 °C		

IS 345 MX Highbay

COM1 - surface, sq.
 EAN 4007841 010492
 Article number 010492



Technical specifications

Material	Plastic
Mains power supply	220 – 240 V / 50 – 60 Hz
Switching output 1, resistive	2000 W
Switching output 1, number of LEDs / fluorescent lamps	8 pcs.
Fluorescent lamps, electronic ballast	1500 W
Fluorescent lamps, uncorrected	1000 VA
Fluorescent lamps, series-corrected	400 VA
Fluorescent lamps, parallel-corrected	400 VA
Switching output 1, low-voltage halogen lamps	2000 VA
LED lamps < 2 W	100 W
LED lamps > 2 W < 8 W	300 W

Functions	Normal / test mode, Manual ON / ON-OFF
Twilight setting	2 – 1000 lx
Time setting	5 s – 15 Min.
Basic light level function	No
Main light adjustable	No
Twilight setting TEACH	Yes
Constant-lighting control	No
Interconnection	Yes
Type of interconnection	Master/master
Interconnection via	Cable
Interconnection, number	max. 10 sensors
Product category	Motion detector

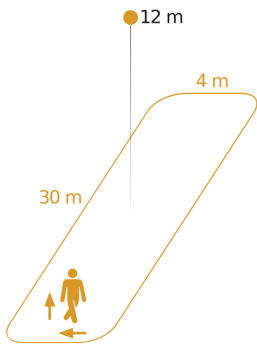
Accessories

EAN 4007841 009151	Remote control Smart Remote
EAN 4007841 559410	Service remote control RC8
EAN 4007841 056711	Black cover for IR-sensors

IS 345 MX Highbay

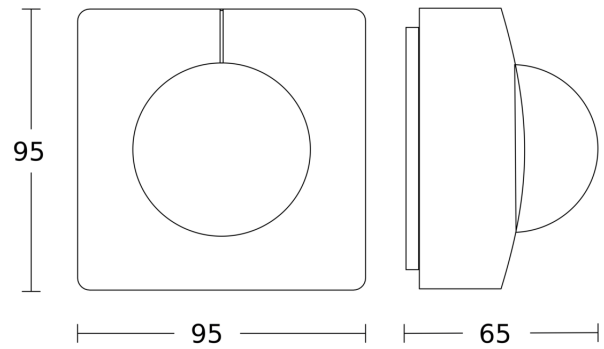
COM1 - surface, sq.
EAN 4007841 010492
Article number 010492

Detection Zone

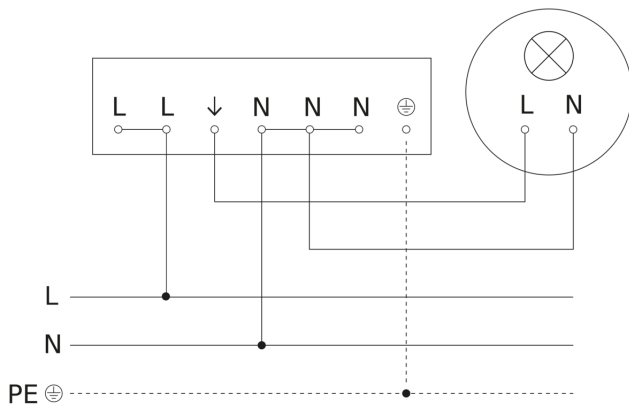


Possible mounting height: 4,00 m - 16,00 m
Orange: radial and tangential

Dimension Drawing



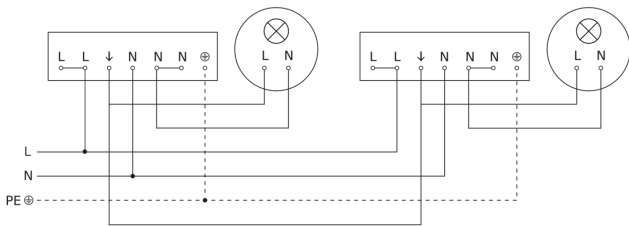
Circuit diagram



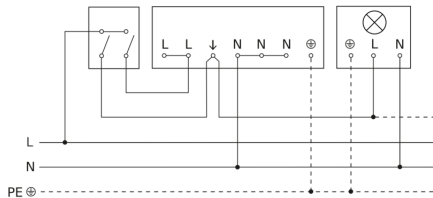
IS 345 MX Highbay

COM1 - surface, sq.
EAN 4007841 010492
Article number 010492

Circuit diagram for interconnecting several sensors



Connection using two-circuit switch for manual and automatic operation



Circuit diagram Connection via a changeover switch for continuous and automatic operation

